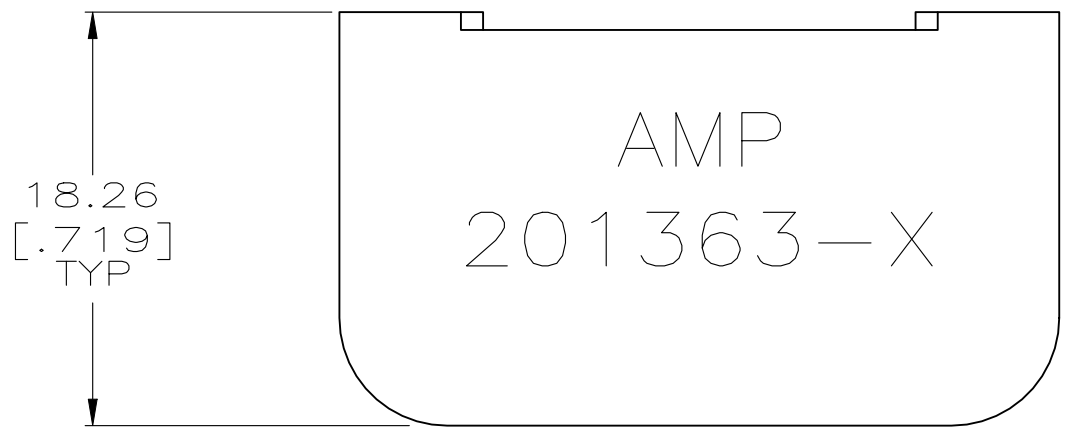
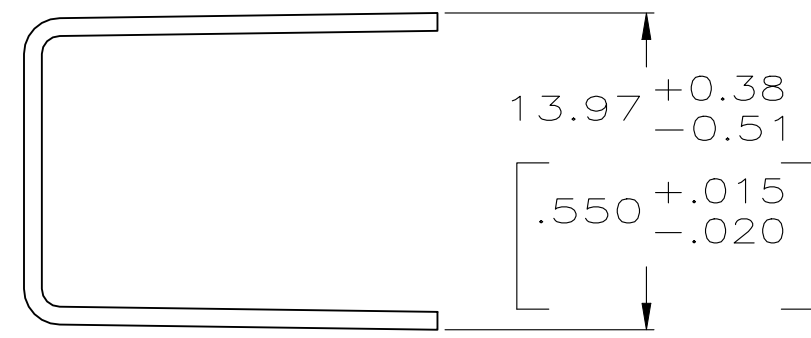
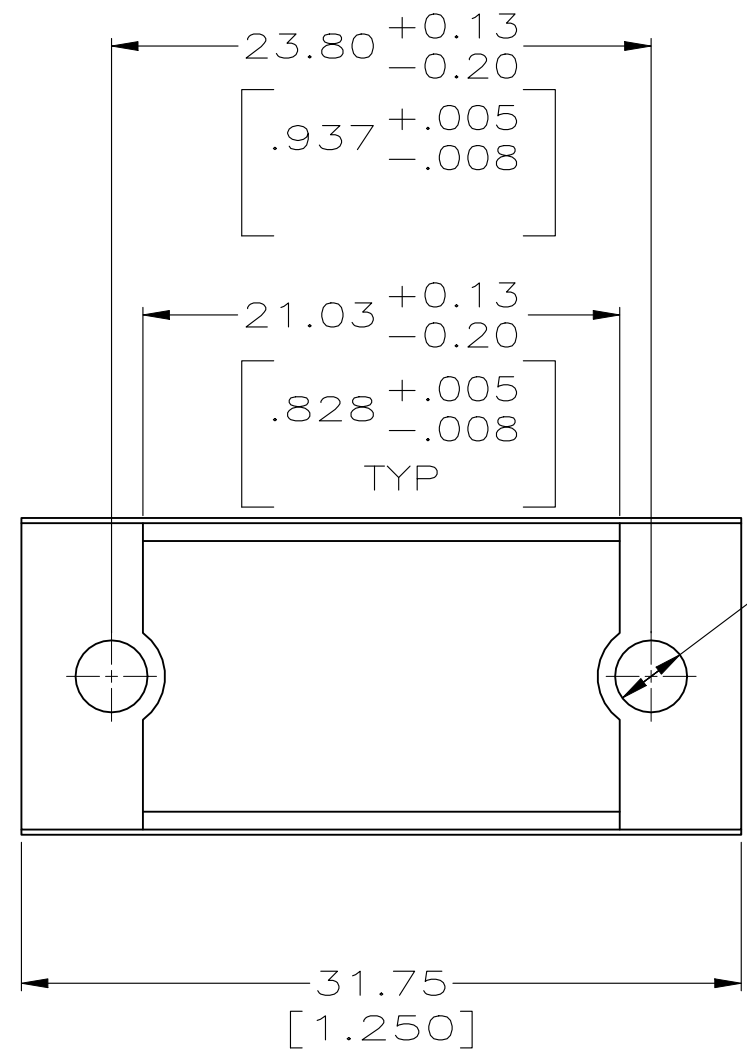


REVISIONS					
P	LTR	DESCRIPTION	DATE	DWN	APVD
G1		ECR-23-192679	20MAR2024	JS	JS



- ① ALUMINUM ALLOY.
- ② CARBON STEEL.
- ③ CLEAR IRIDITE.
- ④ 5.08µm [.000200] MIN NICKEL.

OBSOLETE	④	②	201363-4
	③	①	201363-2
	FINISH	MATERIAL	PART NUMBER

THIS DRAWING IS A CONTROLLED DOCUMENT.		DWN C.REIFSNYDER 15 APR 96	<b>STE</b> TE Connectivity														
DIMENSIONS: INCHES		CHK R.STONE 23 MAY 96															
TOLERANCES UNLESS OTHERWISE SPECIFIED:		APVD G. STEINHAUER 21 JUN 96	NAME														
<table border="0"> <tr><td>0 PLC</td><td>± -</td></tr> <tr><td>1 PLC</td><td>± -</td></tr> <tr><td>2 PLC</td><td>± 0.38 [.015]</td></tr> <tr><td>3 PLC</td><td>± -</td></tr> <tr><td>4 PLC</td><td>± -</td></tr> <tr><td>ANGLES</td><td>± -</td></tr> </table>		0 PLC	± -	1 PLC	± -	2 PLC	± 0.38 [.015]	3 PLC	± -	4 PLC	± -	ANGLES	± -	PRODUCT SPEC	PIN HOOD, 14 POSITION, MINIATURE RECTANGULAR, W/O SHIELDS, M SERIES		
0 PLC	± -																
1 PLC	± -																
2 PLC	± 0.38 [.015]																
3 PLC	± -																
4 PLC	± -																
ANGLES	± -																
MATERIAL SEE TABLE		APPLICATION SPEC	SIZE	CAGE CODE	DRAWING NO												
FINISH SEE TABLE		WEIGHT 0.000000	A3	00779	C-201363												
CUSTOMER DRAWING			RESTRICTED TO	SCALE 3:1	SHEET 1 OF 1												
				REV G1													